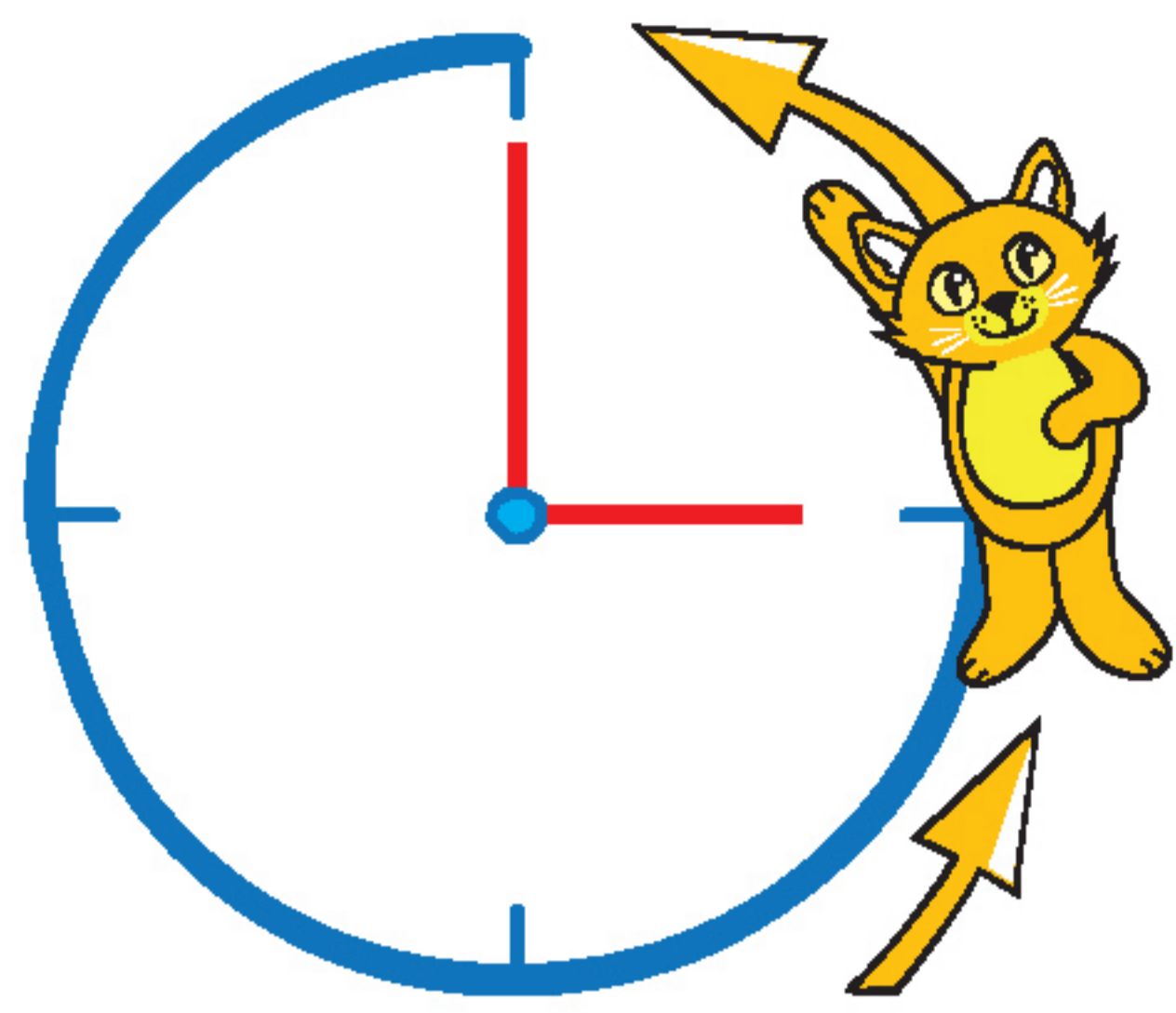


Introduction—Anticlockwise letter formation



Some letters start with an anticlockwise movement.  
These letters are:

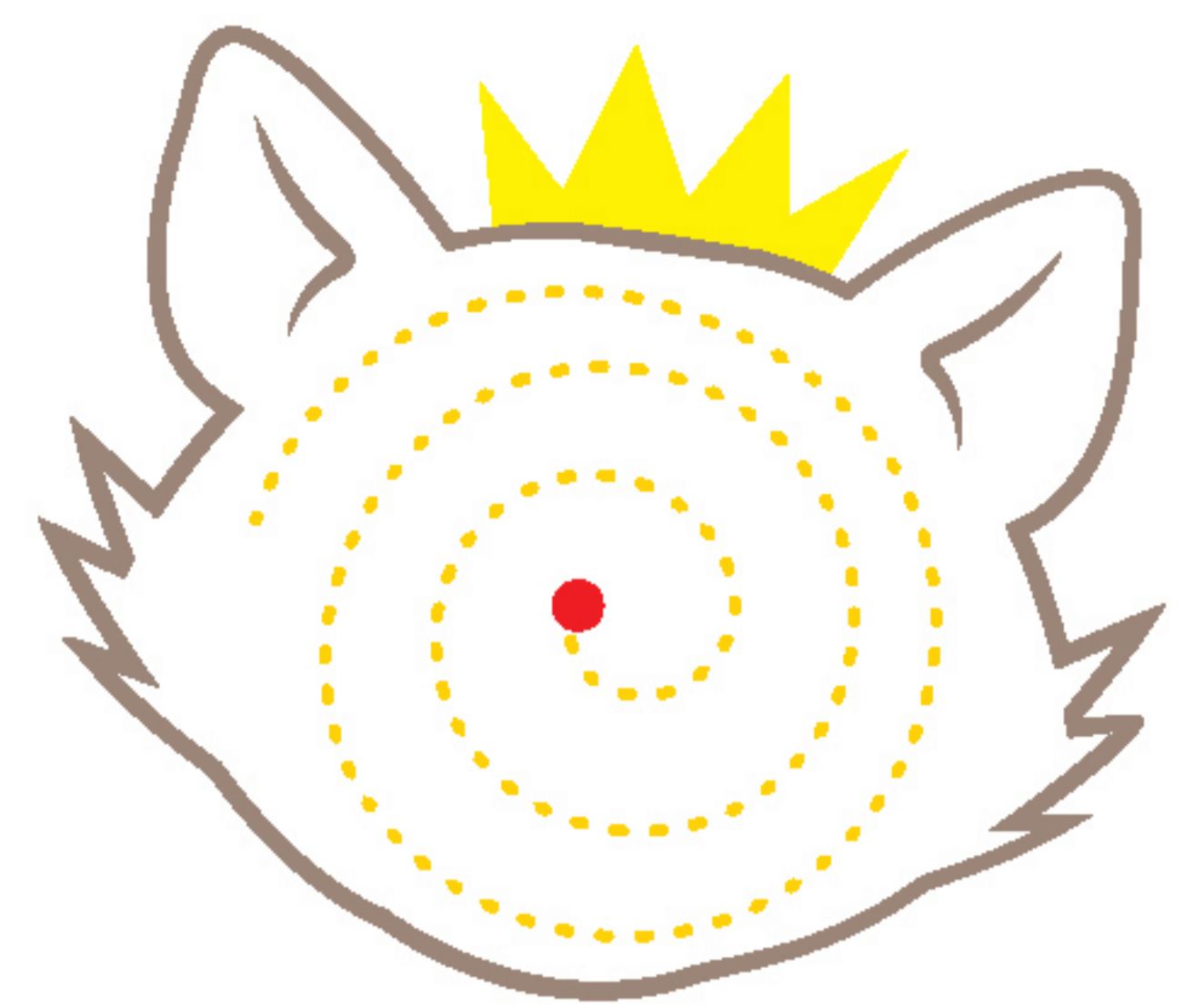
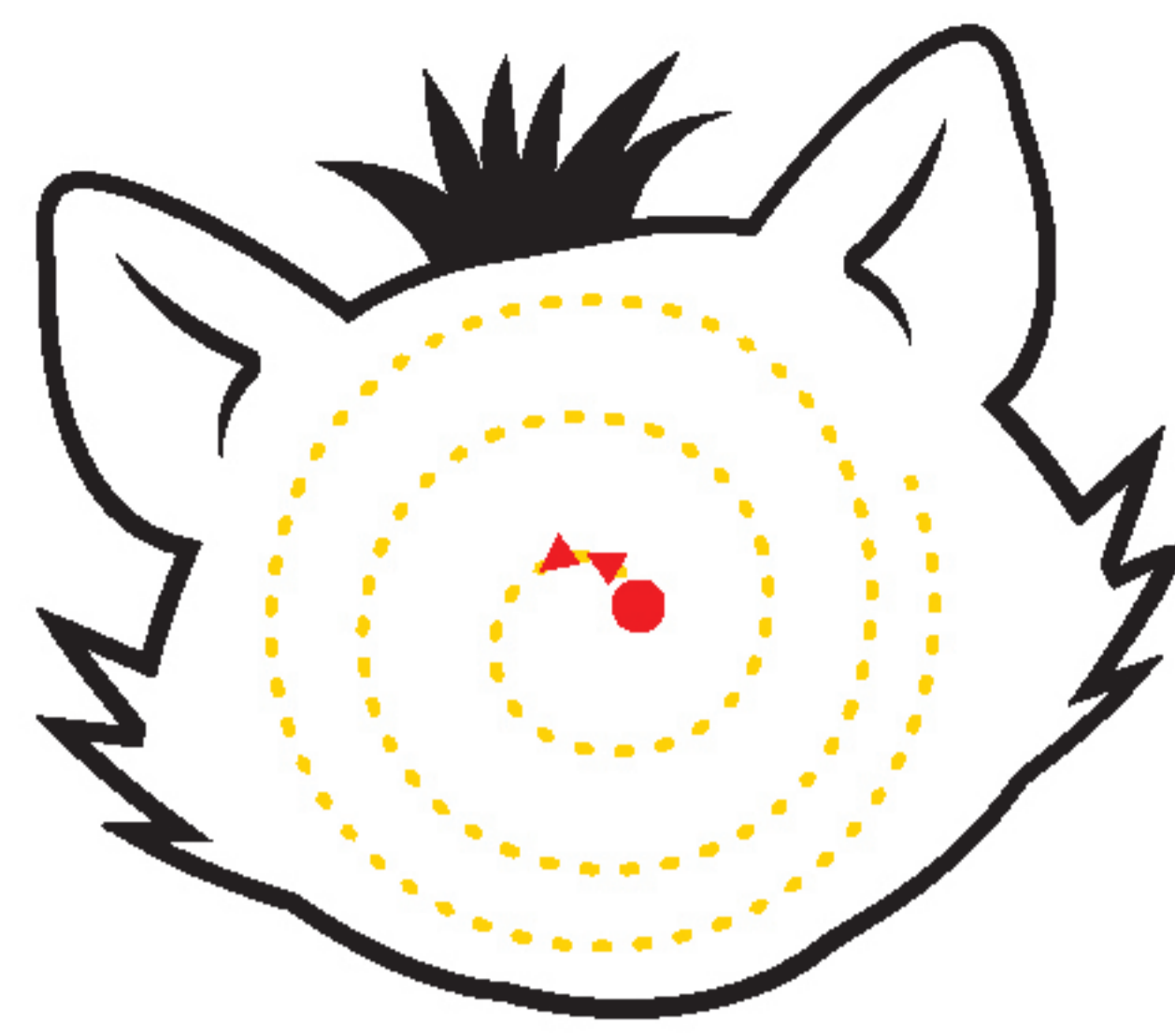
a c d e f g o q s

Anticlockwise movement only	Anticlockwise then downstroke movement	Anticlockwise then clockwise movement
c o e	a d g q f	s

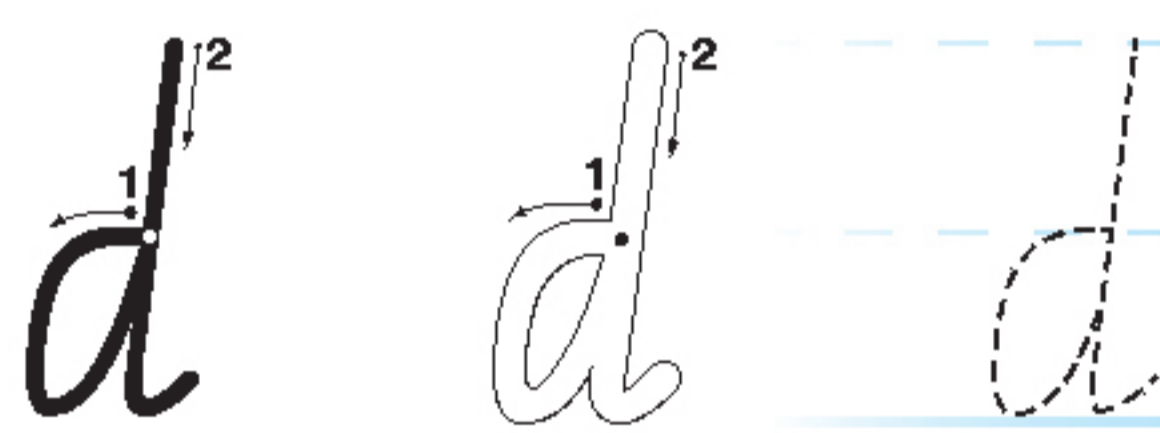
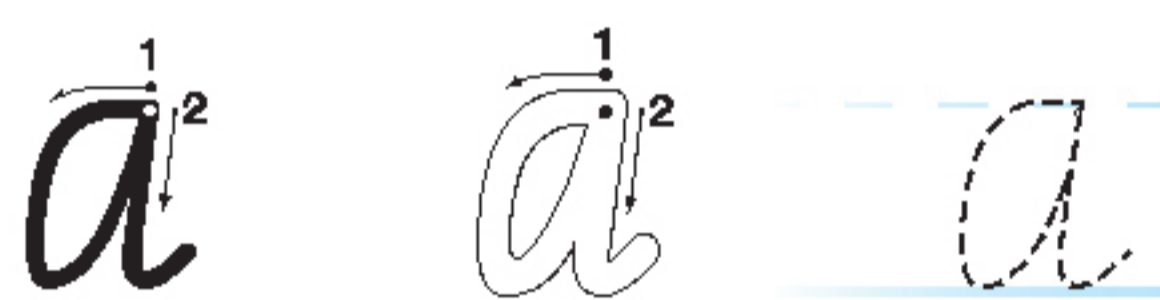
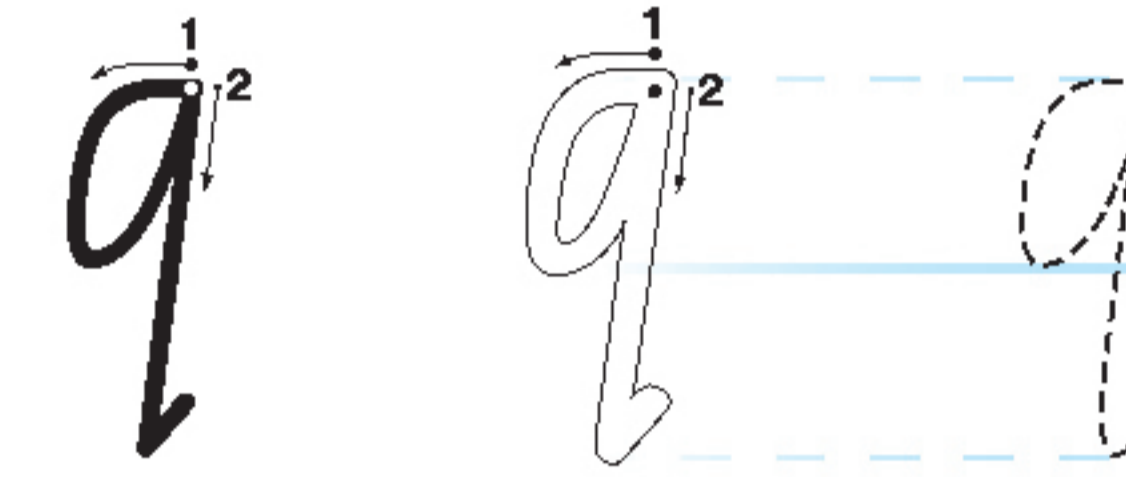
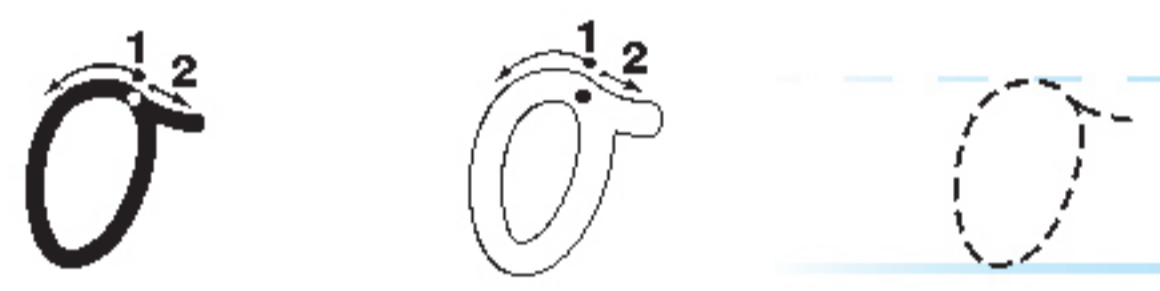
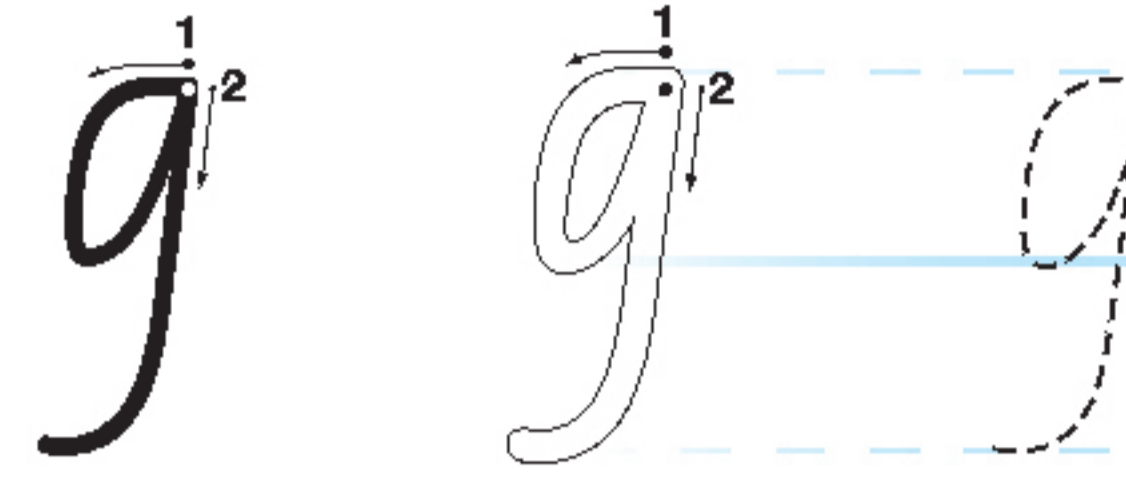
Trace the picture using anticlockwise movements.



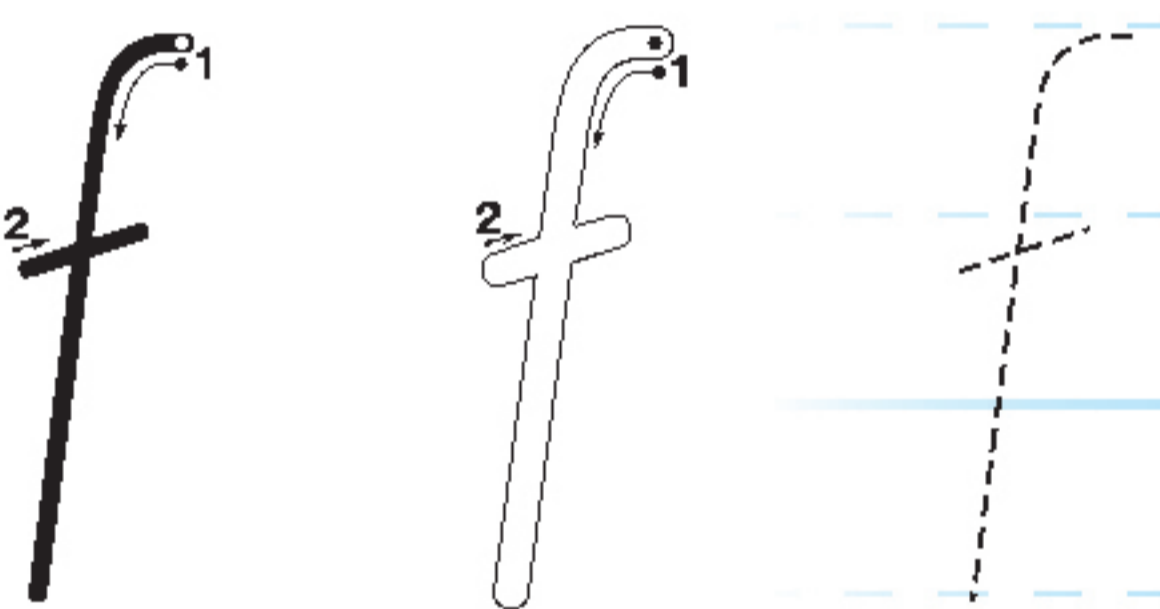




Trace, then write the head and body letters.



Some letters start from a different position but still use an anticlockwise movement. Trace, then write the tricky letters.



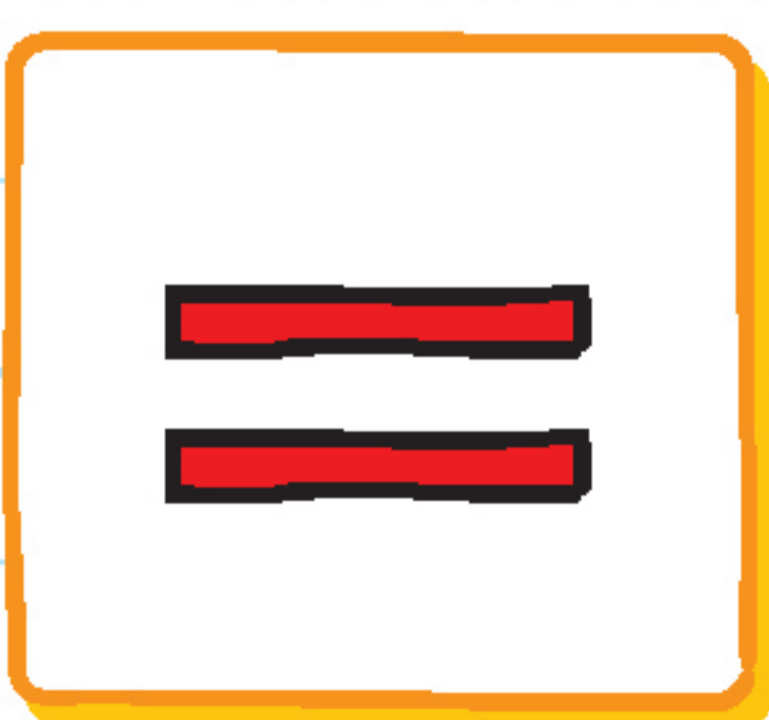
Add the missing anticlockwise letters to complete these words.



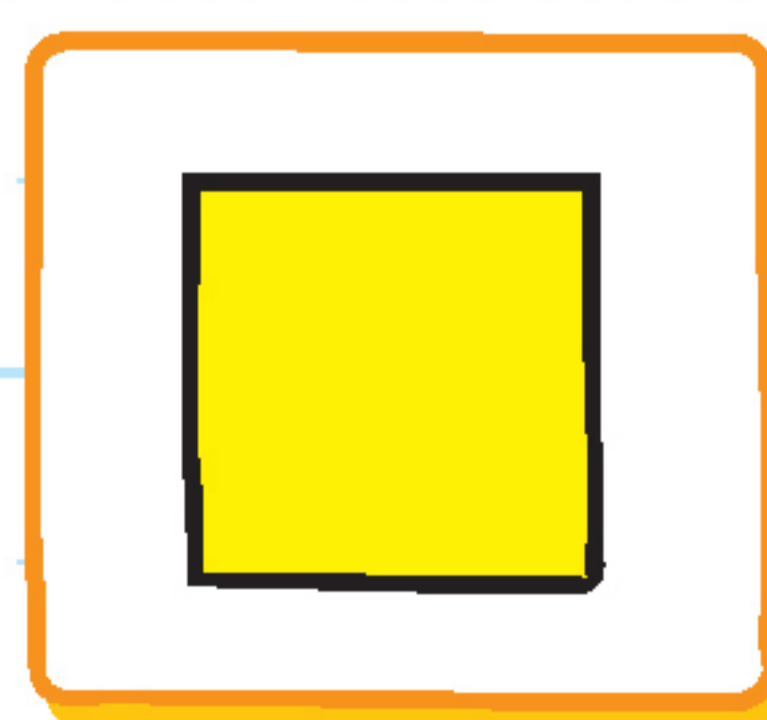
\_\_\_ r \_\_\_



\_\_\_ t \_\_\_ r



\_\_\_ u \_\_\_ l \_\_\_



\_\_\_ u \_\_\_ r \_\_\_



\_\_\_ l \_\_\_ k



\_\_\_ h \_\_\_ l